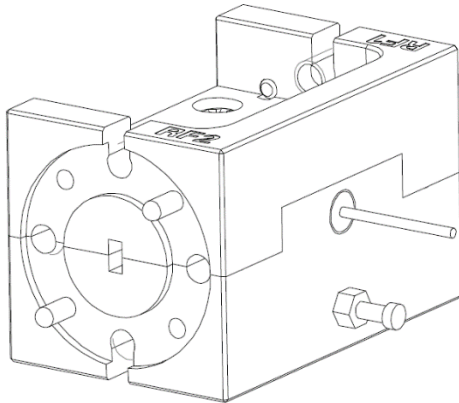


75-110GHz VVA/SPST Attenuation Range 35dB, WR-10



Description:

AT-VVA-75110G-35 is a MMIC Based VVA (Single pole Single throw) switch covering 75-110GHz. It also can be used as a voltage controlled attenuator. This module offers a low insertion loss of -6 dB with typical isolation of -35dBc.

It also has good return loss from 75-110GHz band in both ON and OFF state. The input and output connectors are WR-10 Waveguide. Other connectors can be provided according to request.

More information, visit www.atmicrowave.com

Feature

- ✓ Frequency: 75-110GHz
- ✓ Low insertion Loss, -6 dB
- ✓ High isolation: -35dBc
- ✓ Very fast speed

Application

- ✓ Test Equipment
- ✓ ROF (RF Over Fiber)
- ✓ Radar System
- ✓ Telecom Communication

Electronical Specifications:

Parameter	Min	Typical	Max
Frequency(Note1)		75-110GHz	
Insertion Loss		-6dB	-8
Isolation		-35 dBc	
Control Voltage		-1.2 and 0 V	
Power Consumption		0mW	
Input Return Loss		-10dB	
Input Return Loss		-10dB	
Spec Temp		25C	





AT-VVA-75110G-35

75-110GHz Voltage Variable Attenuator

Mechanical Information

Item	Description
Input Port	WR-10
Output Port	WR-10
Case Material	Copper
Finish	Gold Plated
Weight	100g
Size:	See Outline

Absolute Maximum Ratings Table

Parameter	Value
Control Voltage	-2 to 0.7V
RF Input Power	+15dBm
Operating Temperature	0 to +50C
Storage Temperature	-65 to +150C

SPST Truth Table

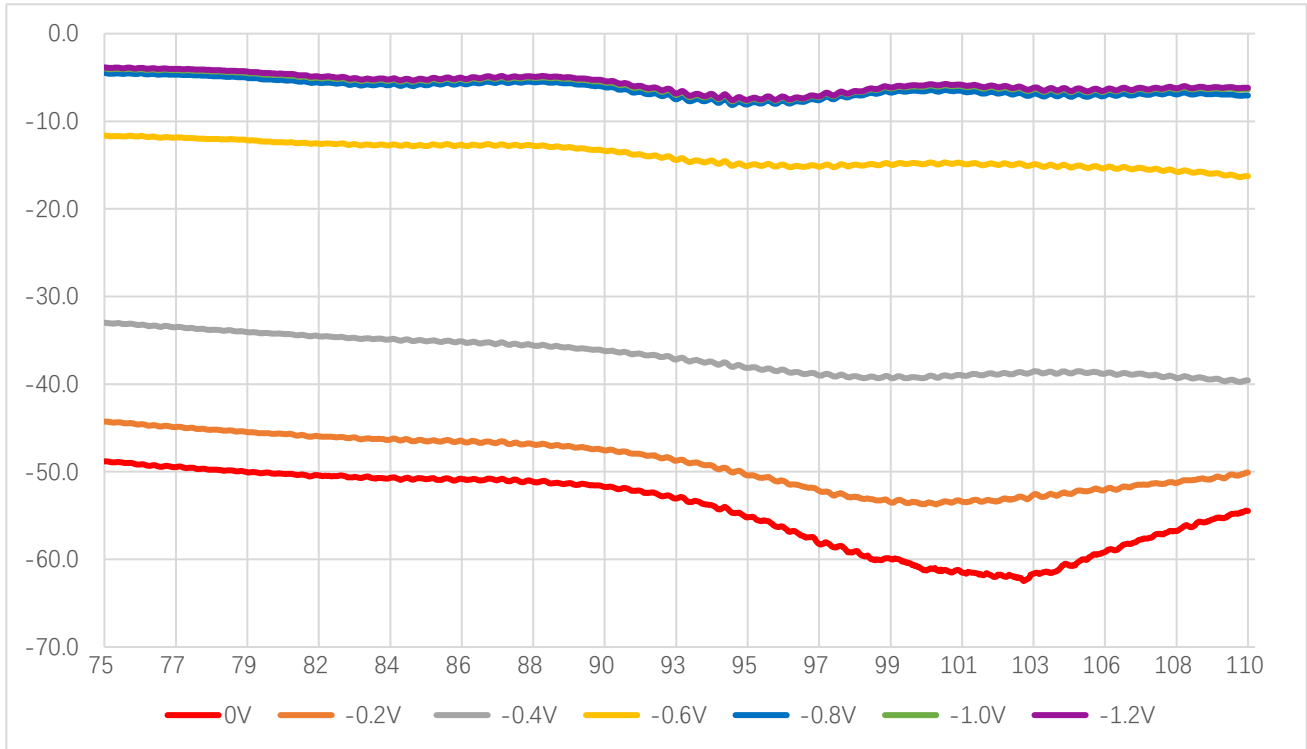
VT	RFC to RF1
-1.2V	ON
0	OFF

Notes:

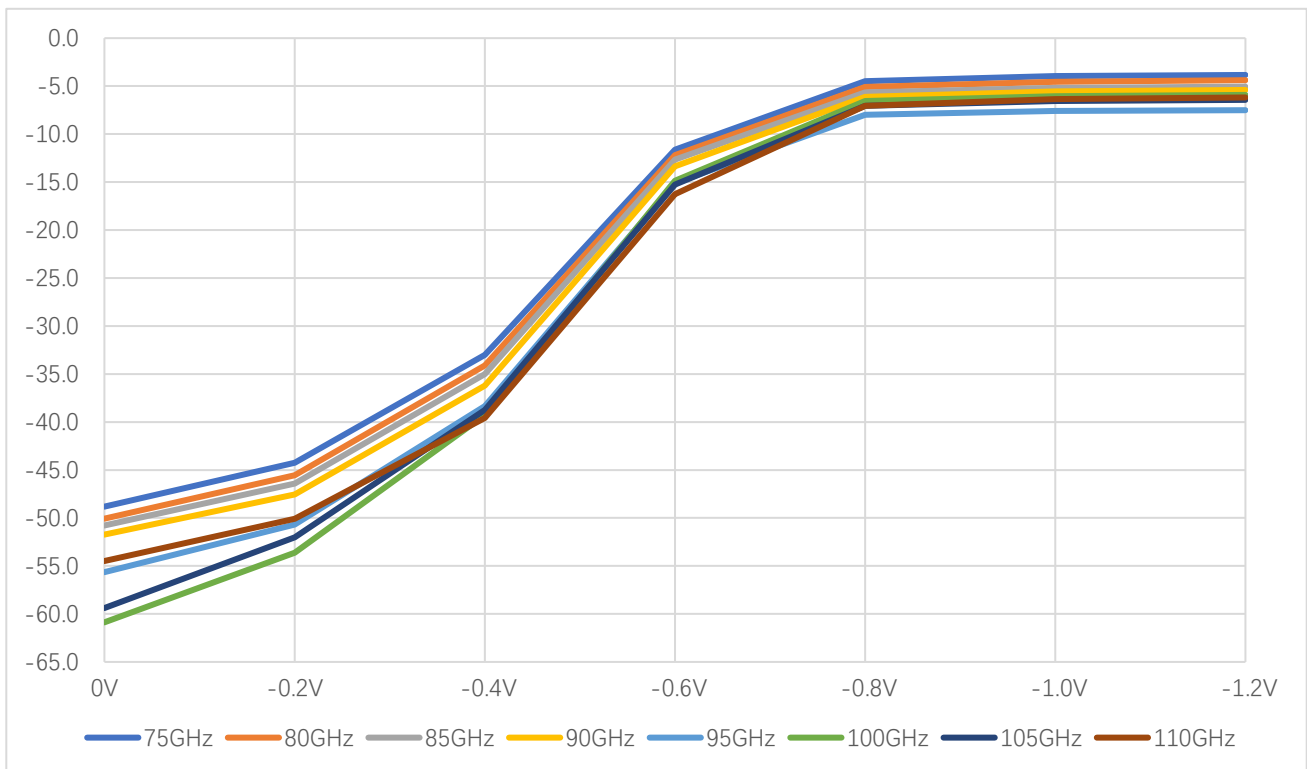
1. Datasheet may be changed according to update of MMIC, Raw materials , process, and so on.
2. This data is only for reference, not for guaranteed specifications.
3. Please contact AT Microwave team to make sure you have the most current data.



Test Data:



Attenuation vs Frequency



Attenuation vs Voltage



Dimension (mm)

